



*ABR-120 shown
with optional Portable Stand*

ABR-120

*formerly
model #EG-7*

Tabletop Rotary Silverware Burnisher

Rated capacity of 120 pcs. of flatware, 25 lbs. of media. Ideal for smaller dining establishments and catering companies.

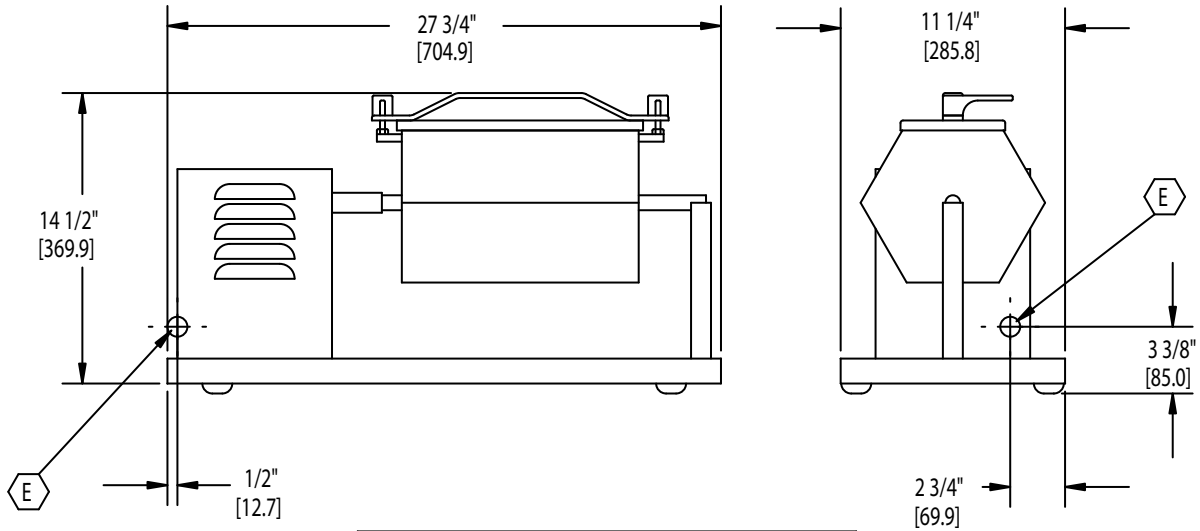
STANDARD FEATURES

- Vinyl Coated Hexagonal Rotary Drum
Cushions silver and reduces noise. Hexagonal shape creates "slide zone" to gently roll away scratches.
- Stainless Steel Construction
For long life and easy maintenance in any environment.
- Quick-acting Hand Release Latches
Speeds loading and unloading of flatware.
- Standard 110v Operation
Plugs into any standard electrical outlet.
- Hardened Steel Polishing Media
Includes 25 lbs. of burnishing balls and 1 gal. burnishing liquid.

OPTIONAL EQUIPMENT

- Drain Cover
Prevents media loss during draining.
- Portable Stand with Casters
Allows machine to be easily re-positioned and stored when not in use.

The Industry Leader in Burnishing
Adamation Burnishers are in use in nearly every country of the world, and have been the standard of the industry for over 40 years.



LEGEND	
ELECTRICAL 4' 115V CORD	

Specifications

Flatware Capacity	Media Capacity	Burnishing Compound	Crate Size	Ship Weight
120 pcs.	25 lbs.	1 gal.	4.7 cu. ft.	approx. 105 lbs.

Electrical Requirements

Current (V/Ph/Cyc)	Amps
115 / 1 / 60	1.4