



### The Industry Leader in Efficiency

Adamation Door-type dishmachines will wash more dishes, in less time, with lower operating costs and utility usage than any other machine on the market.

### ADT-1LT Performance Data

- 37 Racks per hour rated capacity
- 1.7 gal/rack (64 gal/hr.) max. water usage
- Reduced energy usage from less hot water consumed

# ADT-1LT

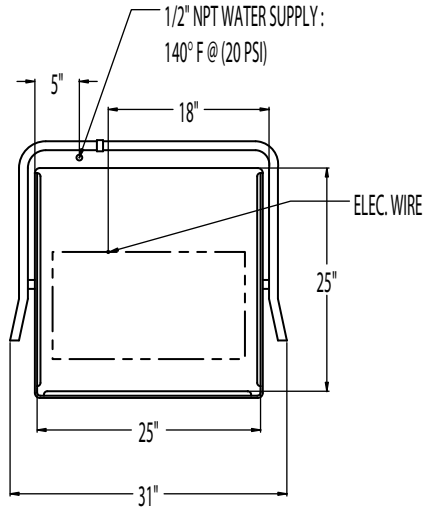
Door-type Low Temperature Dishmachine  
Rated capacity of 37 20" x 20" racks per hour.

ADT-1LT - Low-temp dishmachine

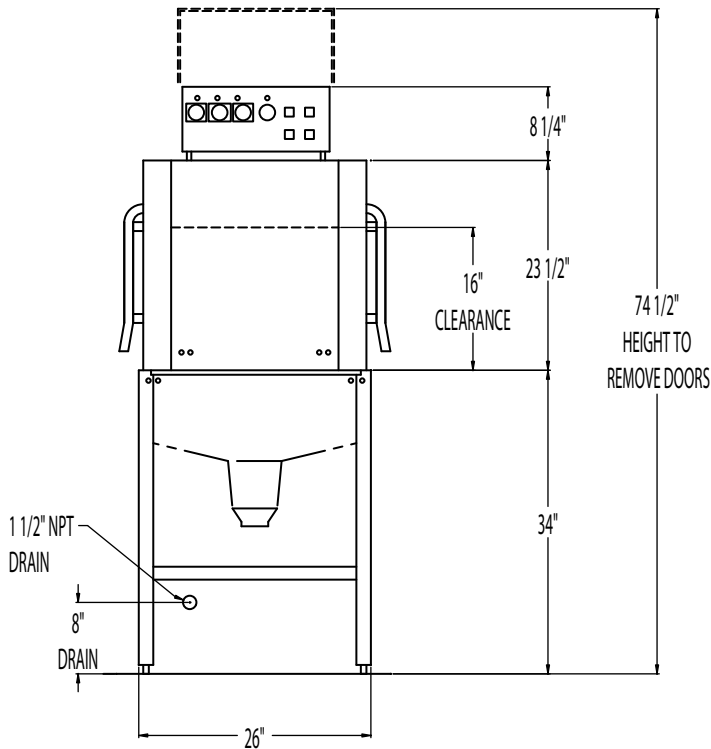
## STANDARD FEATURES

- **Simple, Fully Automatic Operation**  
One switch fills and heats the wash tank, and one button activates the wash cycle.
- **Super Soil Stripping Wash**  
Advanced wash pattern provides substantial, complete cleaning power while still protecting delicate wares.
- **Easy Access 3/4 Hp Pump**  
Drip-proof pump motor recirculates wash water, reducing detergent usage and increasing heat efficiency.
- **Water Saving Design**  
1.7 gallon recirculating wash tank is resupplied by final rinse water, reducing chemical usage per rack.
- **Stainless Steel Front and Side Panels**
- **Field Convertible to Corner Model**
- **Single-point Utility Connections**
- **Interchangeable Upper and Lower Wash Arms**
- **Door Safety and Low Water Protection**
- **Built-in Waste Accumulator**
- **Balanced Three-door Lift System**
- **Top-mounted Spalsh-proof Control Console**
- **Three Built-in Chemical Dispensing Pumps**

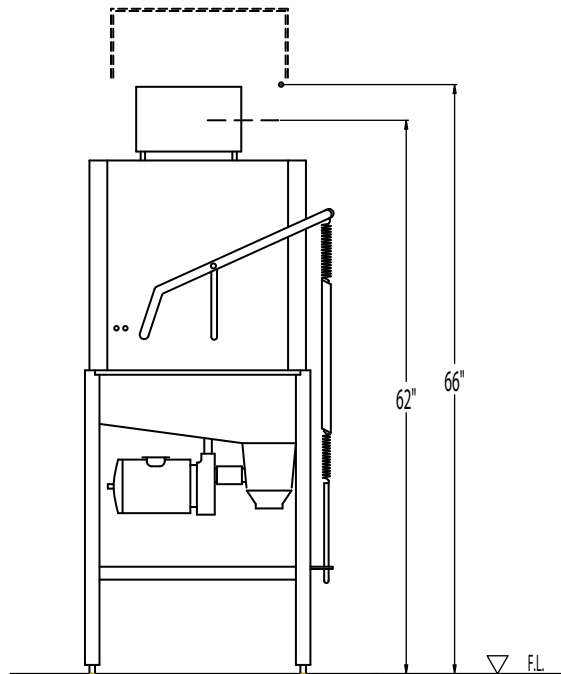




PLAN VIEW



ELEVATION VIEW



SECTION VIEW

### Specifications

Rated Capacity	Tank Capacity	Motors (HP / Qty.)	Rinse Water Usage (@20psi)	Crate Size (L x W x H)	Ship Weight
37 racks/hr	1.7 gal.	Wash - 3/4 hp x 1	64 gal./hr.	37 x 35 x 83	approx. 320 lbs.

### Electrical Requirements

Current (V/Ph/Cyc)	Amps
115/1/60	11
208/60/1	5.8
230/60/1	5.9